



OD-100

OZONE DESTROYER

General

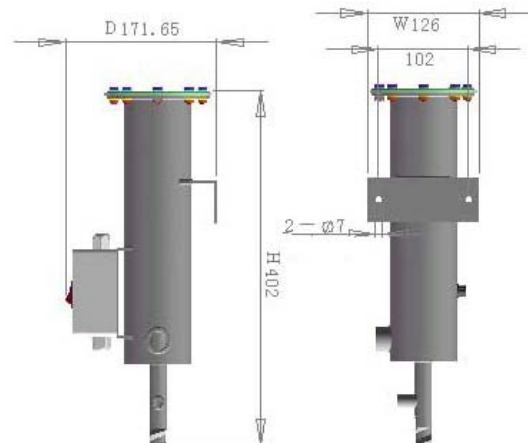
BODYCARE OZONE TECH designed the OD-100 ozone destructor utilize stainless 304 enclosure and high efficiency manganese elements catalyzer to destruct ozone gas. Special tiny ring could increase the ozone gas's dew point and prevent the exhaust gas become dew, this technology can protract the catalyzer's using life, in-out connector design can connect with water back flow prevention and prevent the water to destruct the catalyzer. Equipped with destructor on/off switch and fuse, it's easy to work on/off and supply the extra safety safeguard.

Features of Ozone destructor

- High efficiency manganese elements catalyze.
- Stainless 304 enclosure
- Can connect with water back flow prevention to protect catalyzer.
- Tiny-heat technology protract catalyzer's using life
- Destruct the ozone become to oxygen
- High efficiency low expend

SPECIFICATION

Item	DESTRUCTOR
Size HxWxD (mm)	H402xW126xD171.65
Maximal flow	2.0SCFM (52l/min) @ 99.5% destruction efficiency
Power supply	120/240VAC, 60/50Hz 25W
Ozone inlet port	1/2 male screw thread
Oxygen outlet port	1/2 female screw thread
Drain connector size (For water treatment use)	1/2 male screw thread



Contact us



SHENYANG BODYCARE OZONE EQUIPMENT MANUFACTURE

Website: www.bodycareozone.com

PHONE: +86-24-89722179 **FAX:** +86-24-89722178

E-mail: bodycareozone@188.com

Add: 29-18 Jingshenxi 3RD Str. Daoyi Economic Development Dis. Shenyang 110136, P.R.China

E-MAIL: bodycareozone@188.com Web: <http://www.bodycareozone.com>

TEL: +86-24-89722179 FAX: +86-24-89722178





OD-100

OZONE DESTROYER

Installation & Operation

Before using ozone destructor, you should open the switch on the control box of ozone destructor.

The specification of installation and operation as follows:

- a) Mount ozone destructor as the position of destructor's mounting plate (two $\varnothing 7$ mounting hole on the mounting plate)
- b) Connect the ozone input of destructor and ozone output of ozone system(the dimension of ozone input is 1/8 female)
- c) If there is water proof in ozone system, you can connect the oxygen output of destructor with water proof(the dimension of oxygen output is 1/2 female)

Maintenance & Service

In normal use condition, ozone destructor can be used for a long time. If you smell fresh air, it means there is ozone in work plant. You should inspect whether the ozone generator leak, if not, you should inspect ozone destructor. You should inspect ozone destructor as follows:

1. Touch heating circuit, if the heat circuit is heating, please check the fuse, if fuse is failure, please recharge the fuse, if not, and please check heat circuit.
2. Open ozone destructor, check chemical medicament in the unit, if the medicament is damp, please dry the medicament, then re-put it in the unit