



CTO Series Ozone Generator

Cabinet-Mounted

Corona discharge (CD) type ozone generator

General

BODYCARE Ozone Tech's CTO Series ozone generator utilizes corona discharge (CD) ozone generating technologies and pressure swing adsorption (PSA) oxygen concentration technologies. BODYCARE Ozone's CTO Series utilize module design. CD Ozone generation module made from high temperature and high voltage resistance quartz glass tube, SS 316 L tube, Kynar (PVDF) end cup, Viton "O" ring, aluminum heat sink and individual fused high frequency high voltage power supply for longer reliable use. PSA oxygen concentration module made from aluminum tube molecular sieves bed, molecular sieves select from world main manufacturer, motorized distribution valve & ceramic valve seat for longer reliable use.

Features of CTO-40/60/80

- Feed-air compressor on/off motorized
- Current overdraw circuit breaker
- valve Modular designed for easy service and
- Compressor air filter/water separator maintenance
- Inlet compressor air pressure regulator
- Gray powder coated steel enclosure
- Water backflow prevention assembly
- Door switch, overheating switch
- Oxygen concentration blue indicator
- ozone output variable 0 - 100%
- Adjustable flow meter
- Air-cooled cabinet

Contact us



SHENYANG BODYCAREOZONE EQUIPMENT MANUFACTURE

Website:www.bodycareozone.com

PHONE:+86-24-89722179 **FAX:** +86-24-89722178

E-mail:bodycareozone@188.com

Add: 29-18 Jingshenxi 3RD Str. Daoyi Economic Development Dis. Shenyang 110136, P.R.China

E-MAIL: bodycareozone@188.com Web:<http://www.bodycareozone.com>

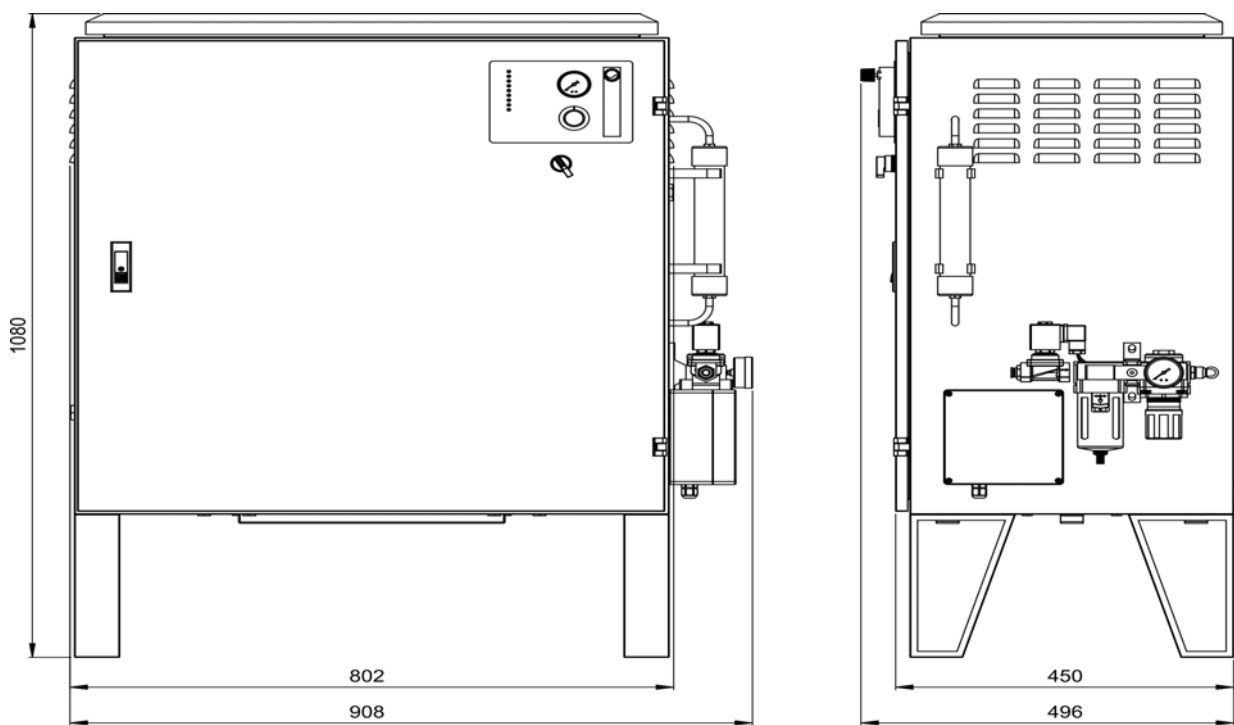
TEL: +86-24-89722179 FAX: +86-24-89722178

Installation & Operation



Add: 29-18 Jingshenxi 3RD Str. Daoyi Economic Development Dis. Shenyang 110136, P.R.China
E-MAIL: bodycarezone@188.com Web:<http://www.bodycarezone.com>
TEL: +86-24-89722179 FAX: +86-24-89722178

Technical Information



SPECIFICATION

MODEL	COMPRESS AIR FEED GAS M ₃ /MIN@2KG/CM ₂	OZONE OUTPUT GM/H	OZONE GAS OUTPUT FOLW L/MIN@0.4KG/CM ₂	INPUT VOLTAGE 1 PHASE AC	POWER CONSUMED Kw
CTO-40	0.16	40	10	230V/50HZ OR 115V/60HZ	0.48
CTO-60	0.24	60	15	230V/50HZ OR 115V/60HZ	0.68
CTO-80	0.32	80	20	230V/50HZ OR 115V/60HZ	0.88

NOTE:

1. Need extra oil less air compressor, Refrigeration air dryer
2. PSA oxygen concentration integrate
3. Power consumption not include air compressor
4. Working area temperature > 5 °C , < 35 °C , humidity < 80% RH
5. Above all oversize: H × W × D = 1415 × 940 × 570 (MM)

Add: 29-18 Jingshenxi 3RD Str. Daoyi Economic Development Dis. Shenyang 110136, P.R.China

E-MAIL: bodycareozone@188.com Web:<http://www.bodycareozone.com>

TEL: +86-24-89722179 FAX: +86-24-89722178