

OEW Series Ozone Enhanced Water Systems

Bodycare Ozone Equipment

OVERALL

We took our most popular ozone generators and combined with all the ancillary components that make up the perfect turn-key systems. The Ozone Enhanced Water Systems (OEW) from Bodycare Ozone Equipment are designed in properly size and as simple as possible.

The OEW series are turn-key, skid-mount, air-cooled, corona discharge (CD) type ozone/water contacting systems specifically designed for agri-food sanitizing applications. The system incorporates complete CD type ozone generator with integrated PSA oxygen module(s), external oil-less air compressor(s), system operation & function indicating control panel, ozone injector with bypass valve, water backflow prevention device, PVC or SS contacting vessel with degas valve, gray epoxy powder coated mild steel cabinet with stainless steel mounting base and with the main function of whole system On/Off remote control, 4-20ma ozone output remote control & ozone safe interlock. The water boost pump, ozone destructor & ORP controller are optional. The OEW series are capable of producing ozone in 10, 20, 30 & 40g/hr

DESIGN FEATURES:

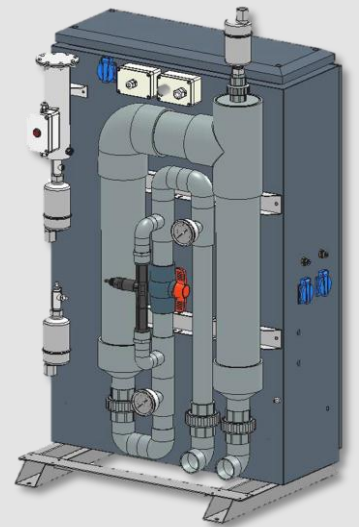
- Corona Discharge (CD)
- Ozone Output Adjustable
- Integrated PSA O₂ Module(s)
- Contacting Vessel Combined
- Degas & Auto Drain Valves
- Oil-less Compressor(s) Equipped
- Turn-key & Pre-plumbed
- Ozone Boost Pump Optional
- ORP/DO₃ Controller Optional
- Ozone Destructor Optional

APPLICATIONS:

- Bottled Water Plants
- Fruit & Vegetable Rinse
- Hard Surface Cleaning
- Clean-In-Place (CIP) Systems
- Larger Volume Water Stores
- Fish Processing
- Dairy Industry
- Commercial Laundry
- Swimming Pool & SPA



Front View



Rear View

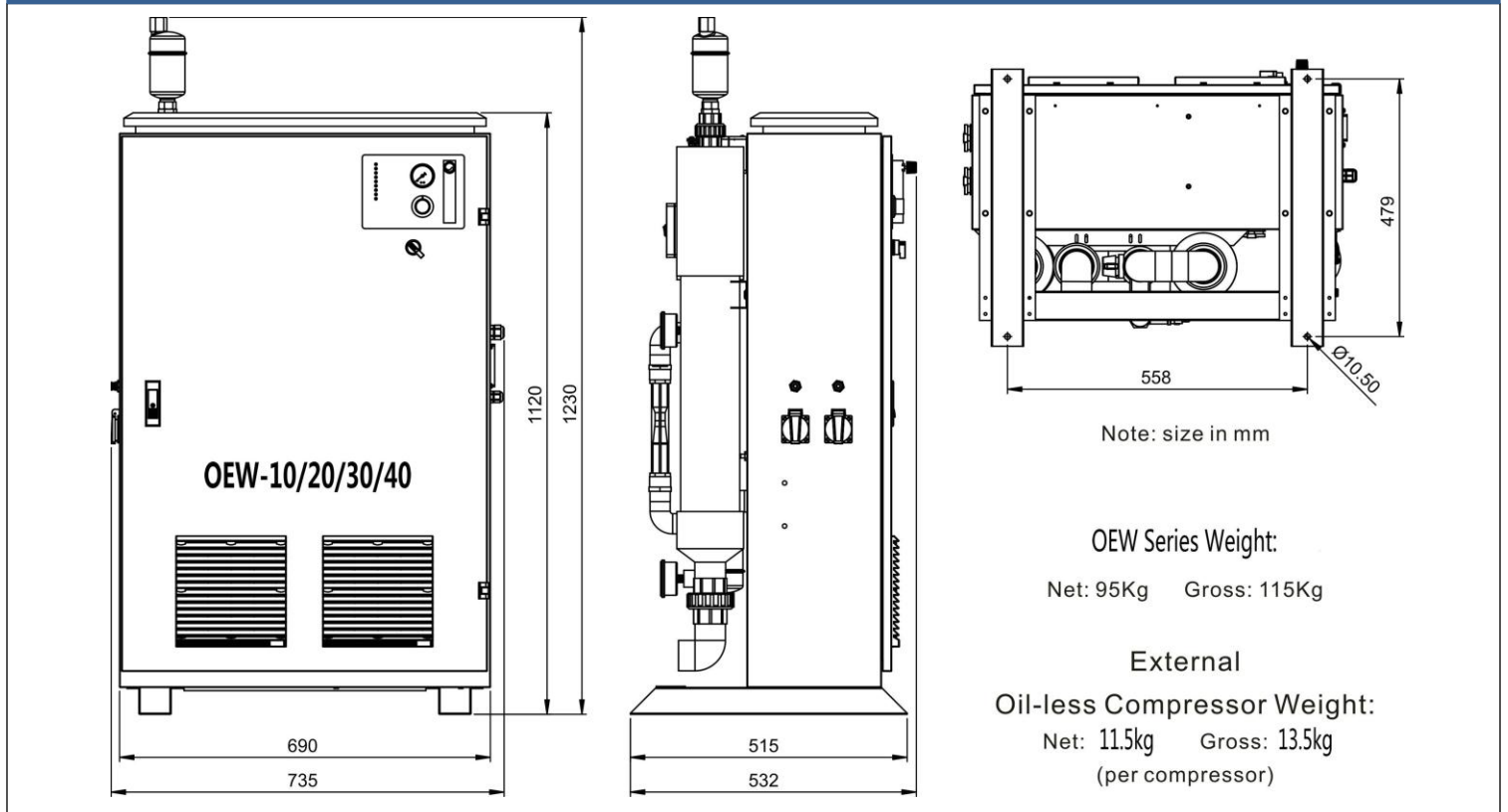
Specifications Sheet

SPECIFICATION	OEW-10	OEW-20	OEW-30	OEW-40
Ozone Output	10g/hr	20g/hr	30g/hr	40g/hr
Treated Water Flow * (PPM @ GPM)	4.0 @ 10	6.0 @ 12	8.0 @ 15	9.0 @ 18
Max water Flow (GPM @ PSI)	10 @ 25	12 @ 25	15 @ 25	18 @ 25
Water Connection Size	Inlet: 1.5"/50mm Outlet: 1.5"/50mm	Inlet: 1.5"/50mm Outlet: 1.5"/50mm	Inlet: 1.5"/50mm Outlet: 1.5"/50mm	Inlet: 1.5"/50mm Outlet: 1.5"/50mm
Power Requirement ** (Single Phase)	120/240V 60/50HZ 450W	120/240V 60/50HZ 600W	120/240V 60/50HZ 1050W	120/240V 60/50HZ 1200W
Water Boost Pump	Optional	Optional	Optional	Optional
ORP/DO ₃ Controller	Optional	Optional	Optional	Optional

Note: " * " Anticipated results @ 7.5 pH, 70°F municipal water. PPM @ 100% mass-transfer

"** " Not include water boost pump's power consumption

Dimension & Weight



Bodycare Ozone Equipment Factory

29-18 Jingshenxi 3RD Str. Daoyi Economic Development Dis.

Shenyang 110136, P.R. China

www.bcozone.com

bcozone@188.com